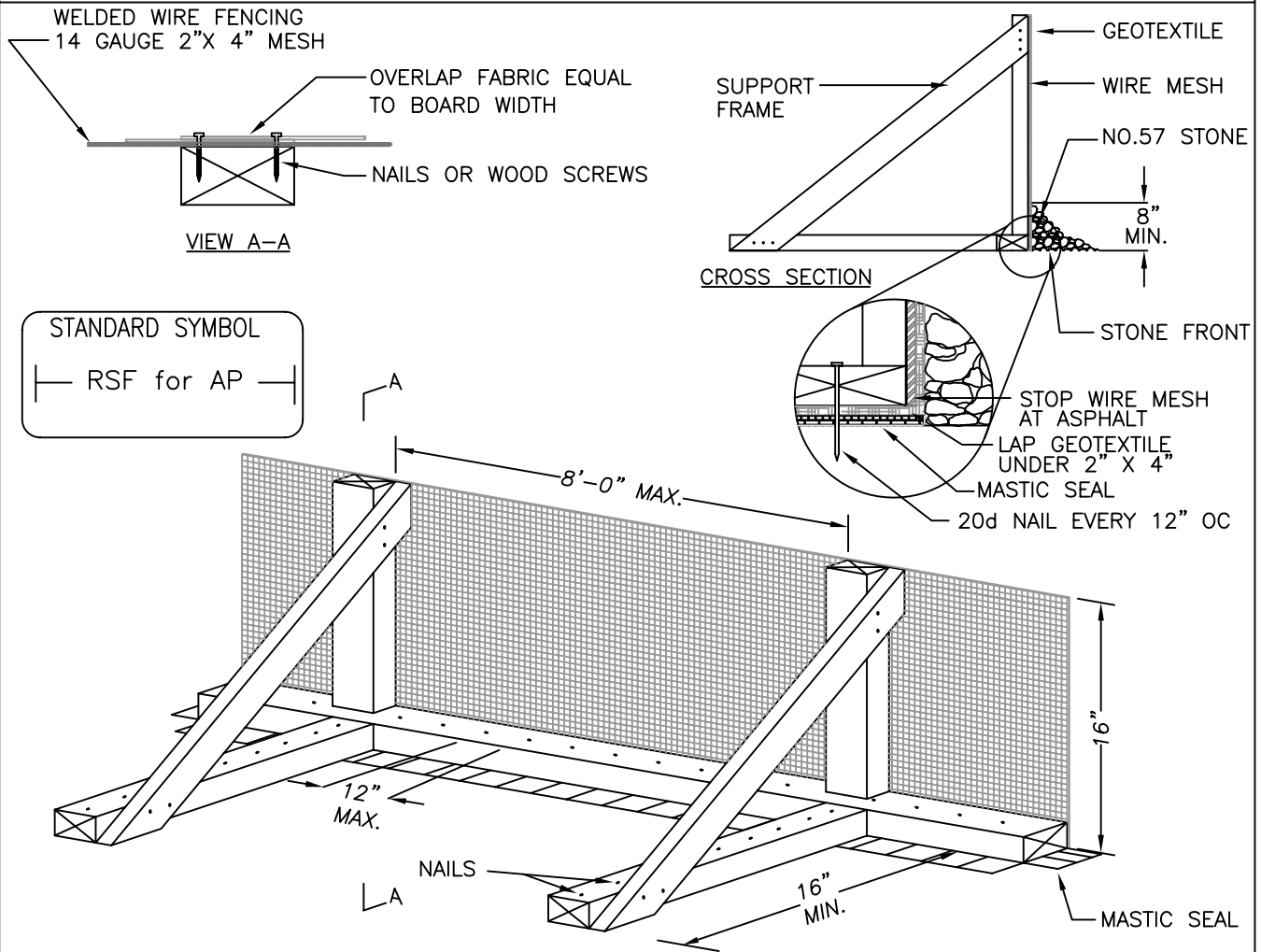


REINFORCED SILT FENCE ON ASPHALT



STANDARD SYMBOL
 |— RSF for AP —|

Construction Specifications

1. All finished lumber shall have a minimum nominal dimension of 2" x 4".
2. A mastic seal shall be installed as shown, to prevent sediment laden water from escaping untreated from beneath the geotextile frame.
3. Geotextile shall be taut and securely stapled to face of upright supports.
4. Minimum size nails used to secure boards to pavement shall be 20d. Maximum spacing is 12".
5. Use 14 gauge 2" X 4" wire mesh behind geotextile.
5. Application, design and materials criteria shall be as stated in the Maryland Standards and Specifications for Soil Erosion and Sediment Control.
6. Geotextile shall meet the following requirements for geotextile class F.

Tensile Strength	50 lbs/in. (min.)	Test MSMT 509
Tensile Modulus	20 lbs/in. (min.)	Test MSMT 509
Flow Rate	0.3 gal sq. ft./minute (max.)	Test MSMT 322
Filtering Efficiency	75% (min.)	Test MSMT 322

REINFORCED SILT FENCE ON ASPHALT

SILT FENCE DESIGN CRITERIA

<u>SLOPE STEEPNESS</u>	<u>(MAXIMUM) SLOPE LENGTH</u>	<u>(MAXIMUM) SILT FENCE LENGTH</u>
<i>Flatter than 50:1</i>	<i>Unlimited</i>	<i>Unlimited</i>
<i>50:1 to 10:1</i>	<i>125 Feet</i>	<i>1,000 Feet</i>
<i>10:1 to 5:1</i>	<i>100 Feet</i>	<i>750 Feet</i>
<i>5:1 to 3:1</i>	<i>60 Feet</i>	<i>500 Feet</i>